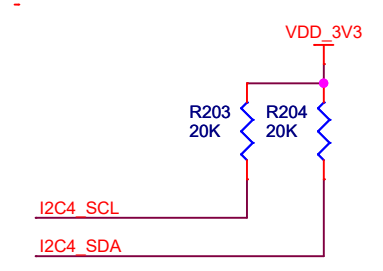
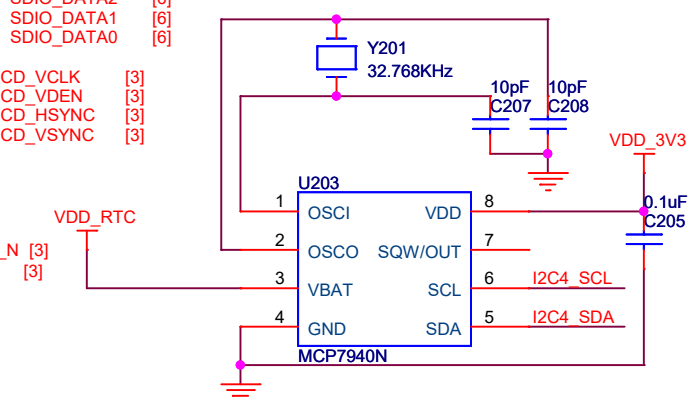
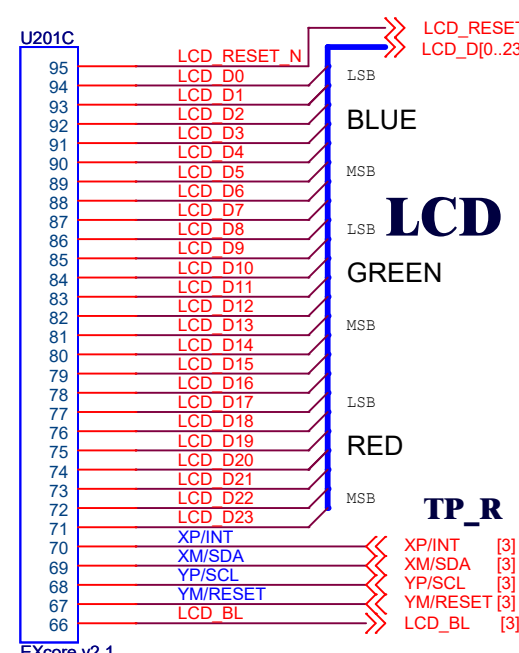
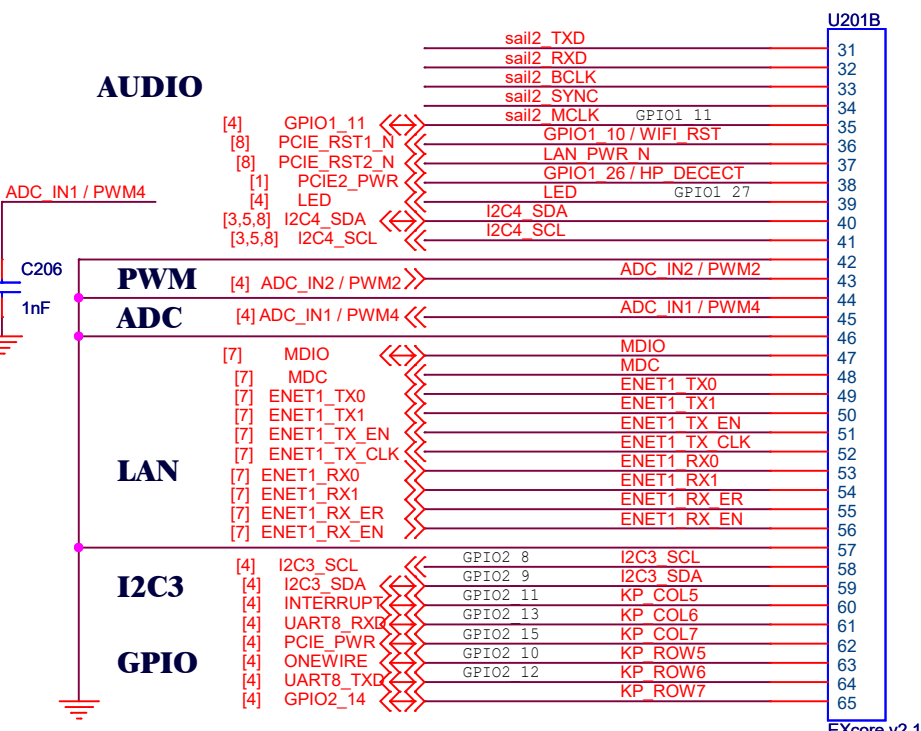
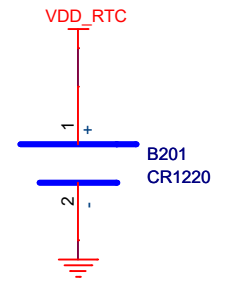
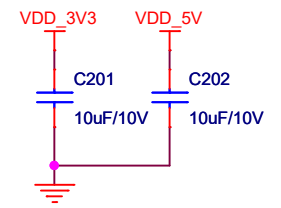
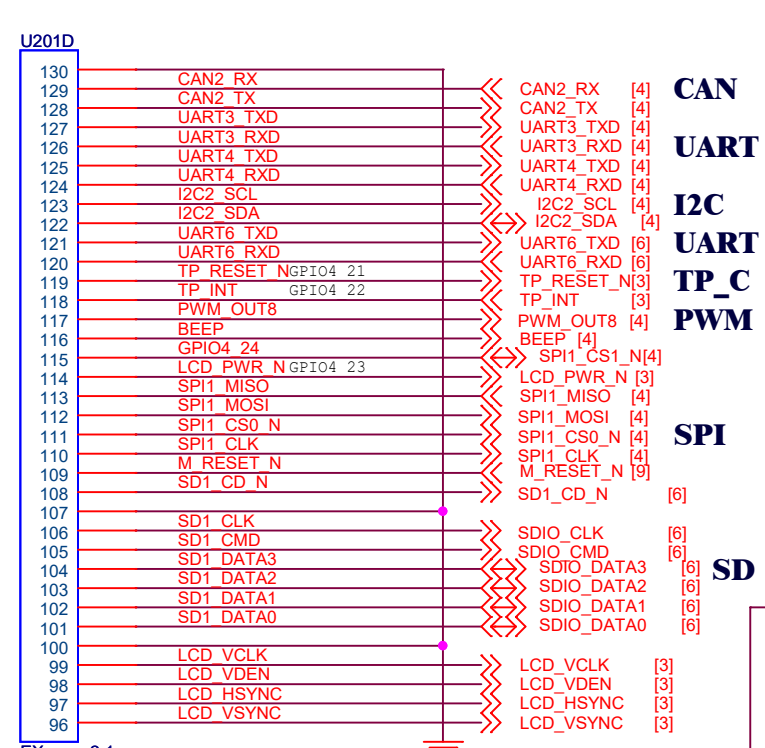
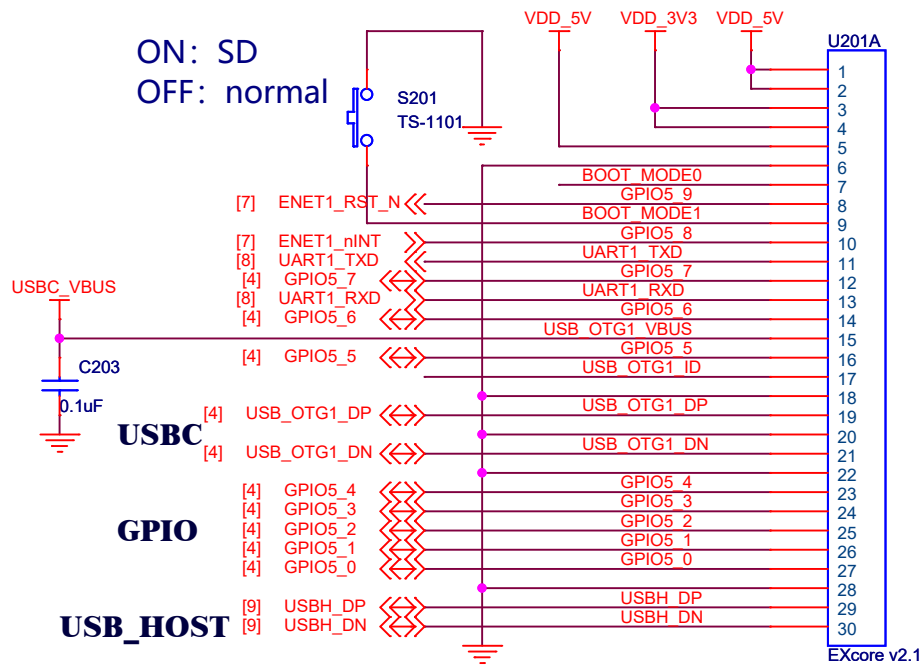


<b>WARE</b> 物一世 express		
Title <b>ExpressPi Pro</b>		
Size A4	Document Number <b>1 POWER</b>	Rev P3
Date Saturday, February 27, 2021	Sheet 1	of 8

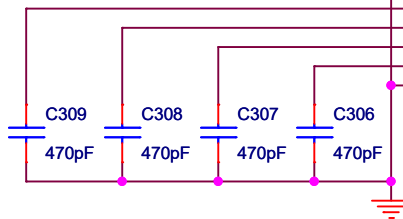
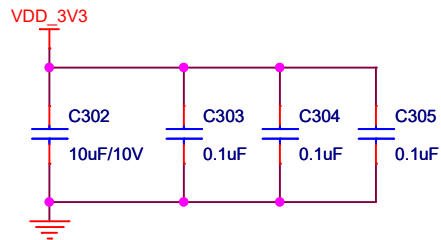
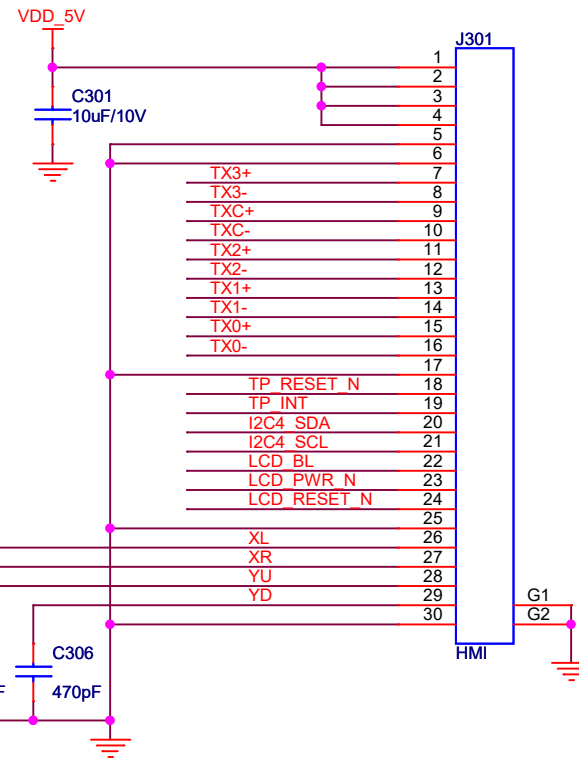
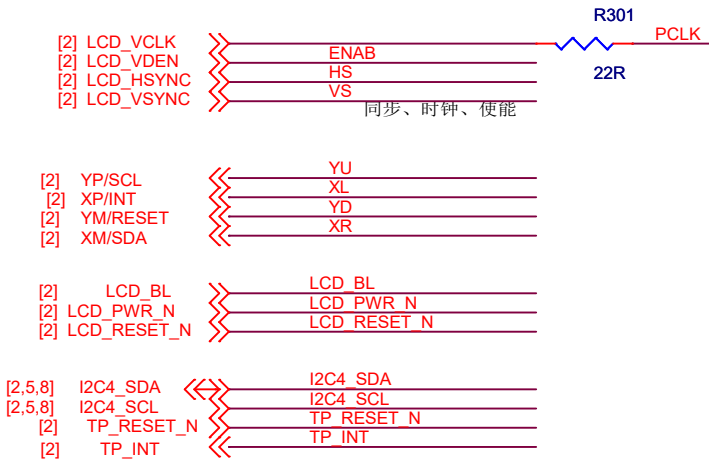
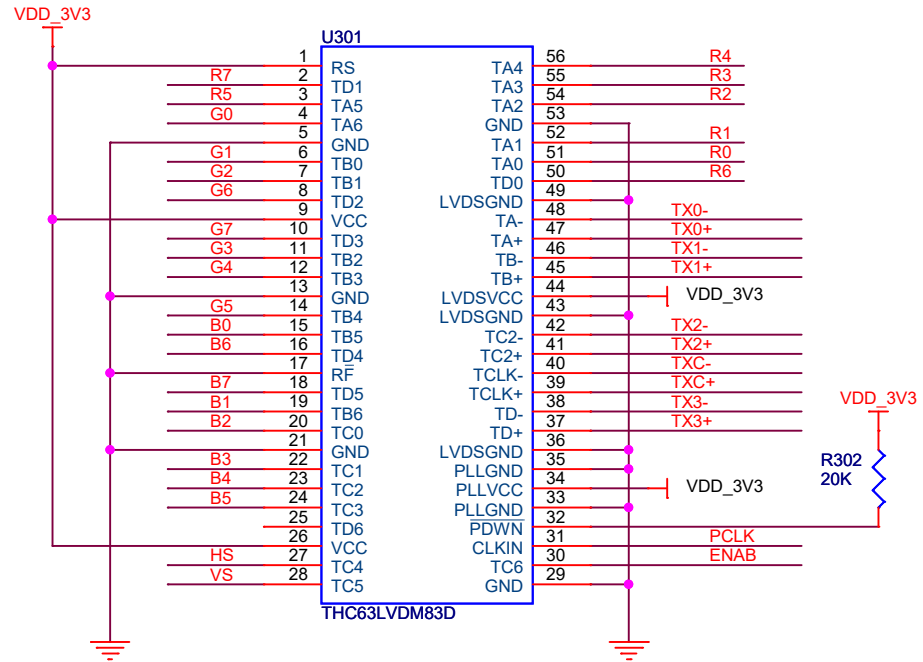
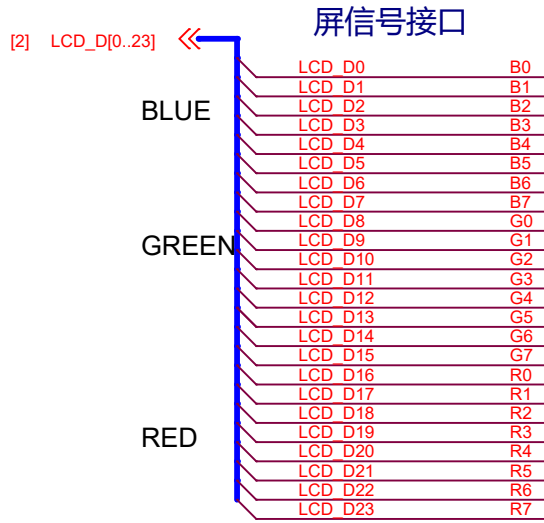


**WARE** express 物一世

Title: **ExpressPi Pro**

Size: A4 | Document Number: **2 EXcore V2.1** | Rev: P3

Date: Saturday, February 27, 2021 | Sheet: 2 of 8



**WARE** 物一世  
express

Title  
**ExpressPi Pro**

Size A4 Document Number  
**3 HMI**

Date: Saturday, February 27, 2021 Sheet 3 of 8 Rev P3

- [2] GPIO5\_0 <-> GPIO5\_0
- [2] GPIO5\_1 <-> GPIO5\_1
- [2] GPIO5\_2 <-> GPIO5\_2
- [2] GPIO5\_3 <-> GPIO5\_3
- [2] GPIO5\_4 <-> GPIO5\_4
- [2] GPIO5\_5 <-> GPIO5\_5
- [2] GPIO5\_6 <-> GPIO5\_6
- [2] GPIO5\_7 <-> GPIO5\_7

- [2] ONEWIRE <-> ONEWIRE
- [2] INTERRUPT <-> INTERRUPT
- [2] UART8\_TXD <-> UART8\_TXD
- [2] UART8\_RXD <-> UART8\_RXD
- [2] GPIO2\_14 <-> GPIO5\_4
- [2] GPIO1\_11 <-> GPIO1\_11

- [2] SPI1\_CS1\_N <-> SPI1\_CS1\_N
- [2] SPI1\_CS0\_N <-> SPI1\_CS0\_N
- [2] SPI1\_CLK <-> SPI1\_CLK
- [2] SPI1\_MOSI <-> SPI1\_MOSI
- [2] SPI1\_MISO <-> SPI1\_MISO

- [2] I2C3\_SCL <-> I2C3\_SCL
- [2] I2C3\_SDA <-> I2C3\_SDA

- [2] I2C2\_SCL <-> I2C2\_SCL
- [2] I2C2\_SDA <-> I2C2\_SDA

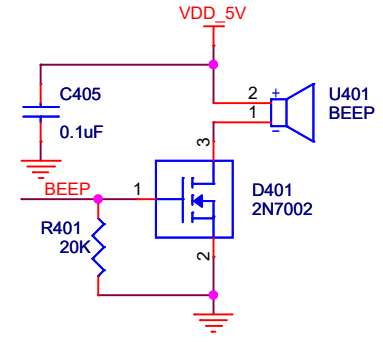
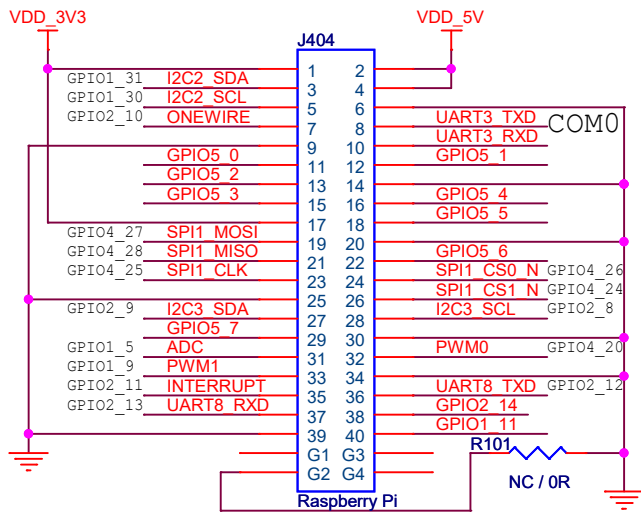
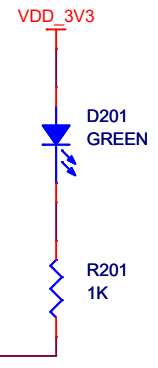
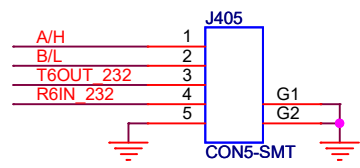
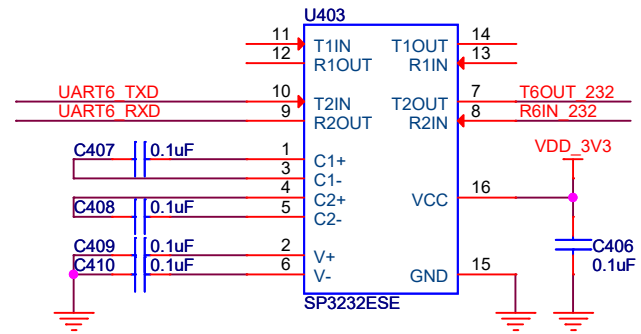
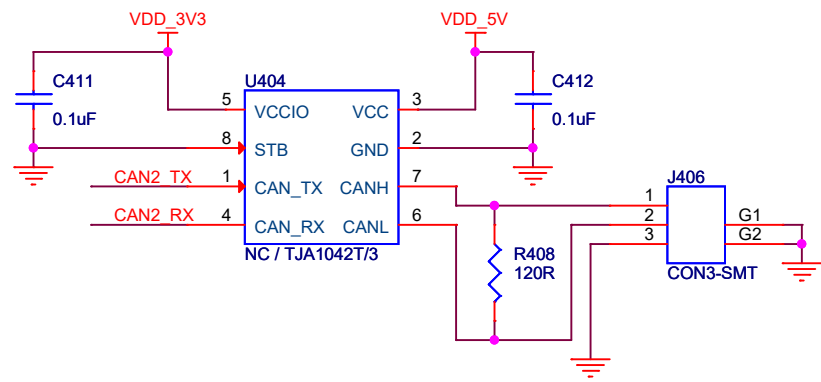
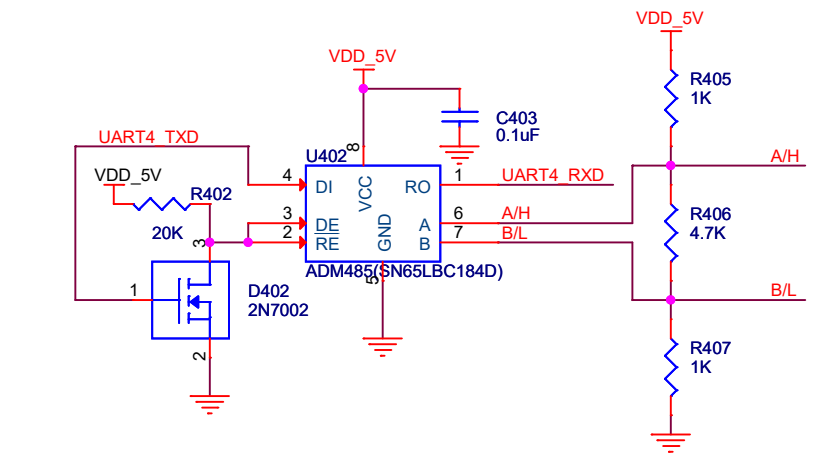
- [2] ADC\_IN2 / PWM2 <-> PWM0
- [2] ADC\_IN1 / PWM4 <-> ADC
- [2] PWM\_OUT8 <-> PWM1

- [2] UART3\_TXD <-> UART3\_TXD
- [2] UART3\_RXD <-> UART3\_RXD
- [2] UART4\_TXD <-> UART4\_TXD
- [2] UART4\_RXD <-> UART4\_RXD
- [2] UART6\_TXD <-> UART6\_TXD
- [2] UART6\_RXD <-> UART6\_RXD

- [2] CAN2\_TX <-> CAN2\_TX
- [2] CAN2\_RX <-> CAN2\_RX

- [2] BEEP <-> BEEP

- [2] LED <-> LED

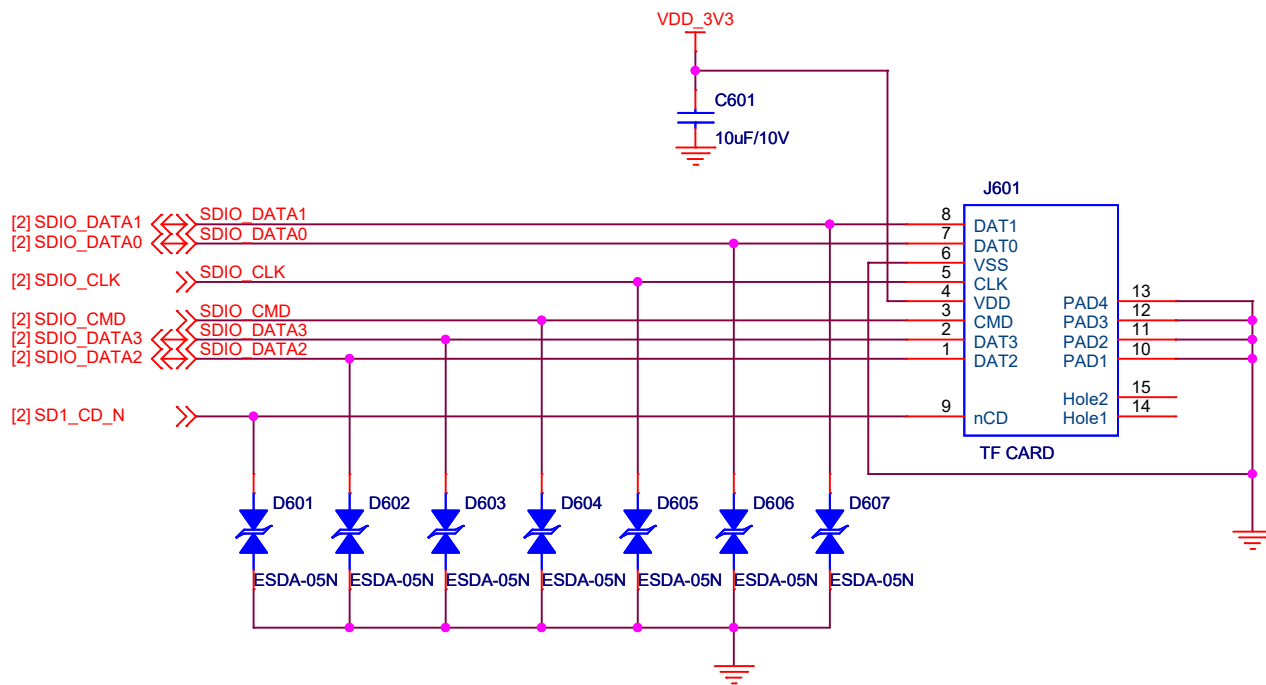


**WARE** 物一世  
express

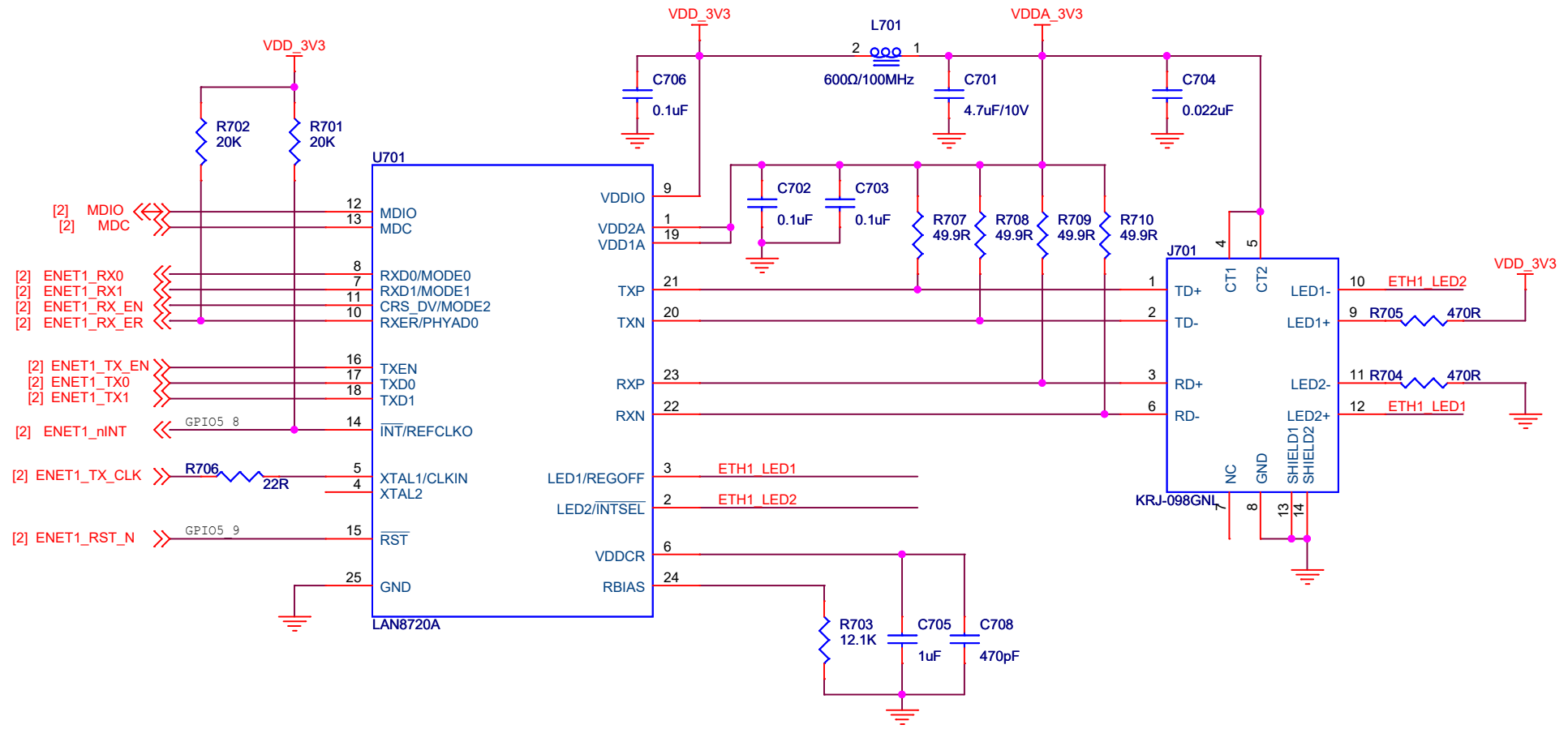
Title: **ExpressPi Pro**

Size: A4 | Document Number: **4 Inerface** | Rev: P3

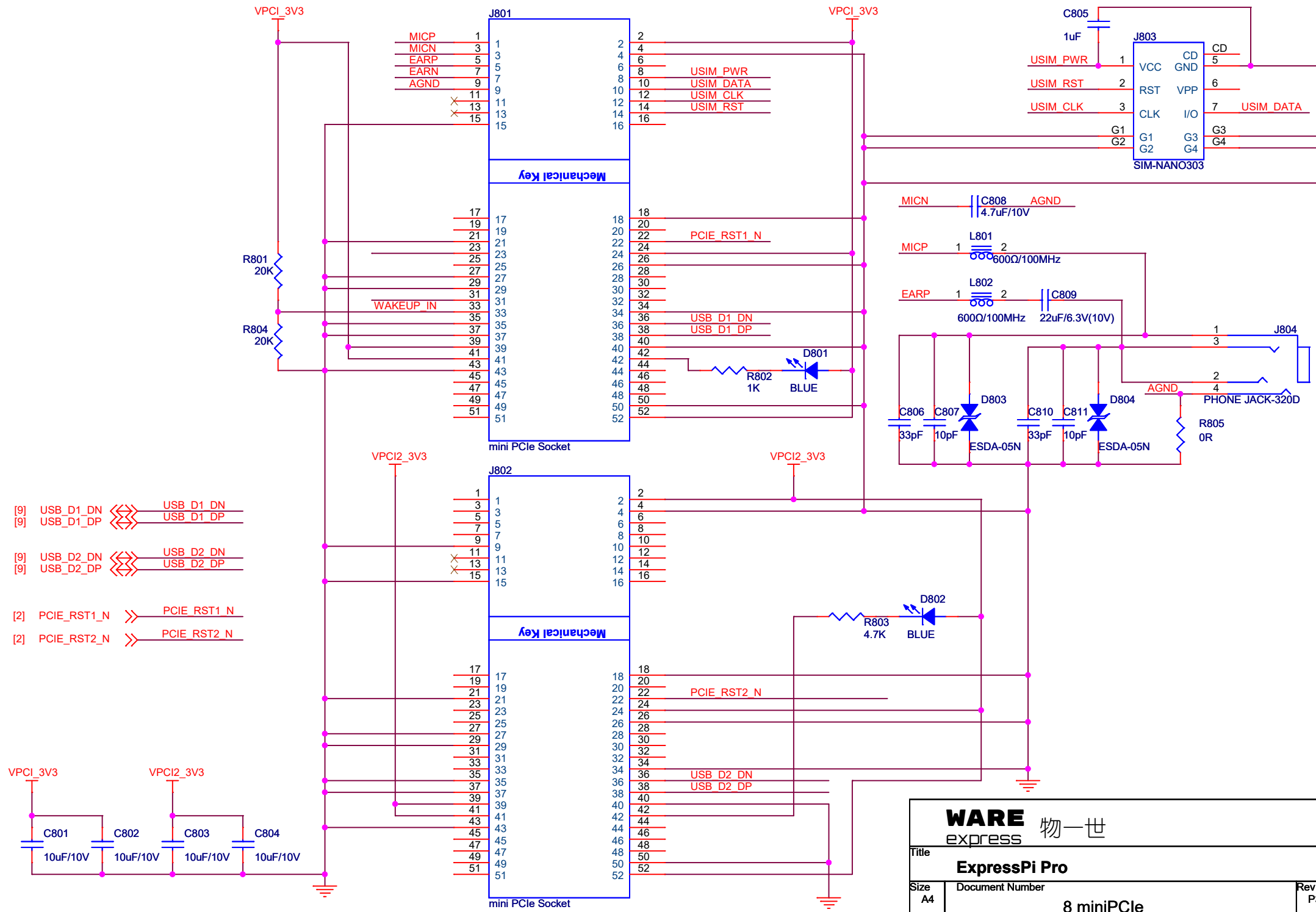
Date: Saturday, February 27, 2021 | Sheet: 4 of 8



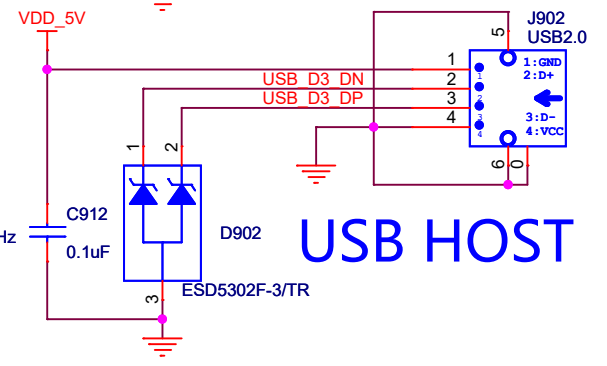
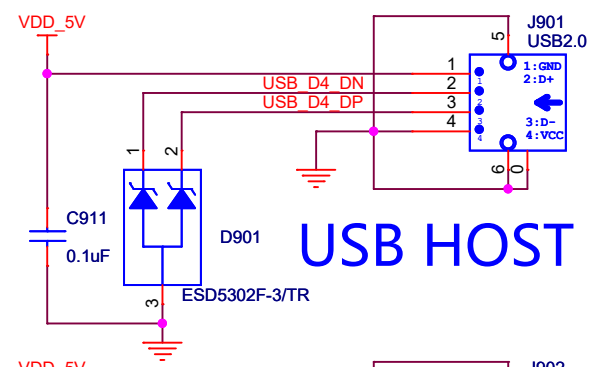
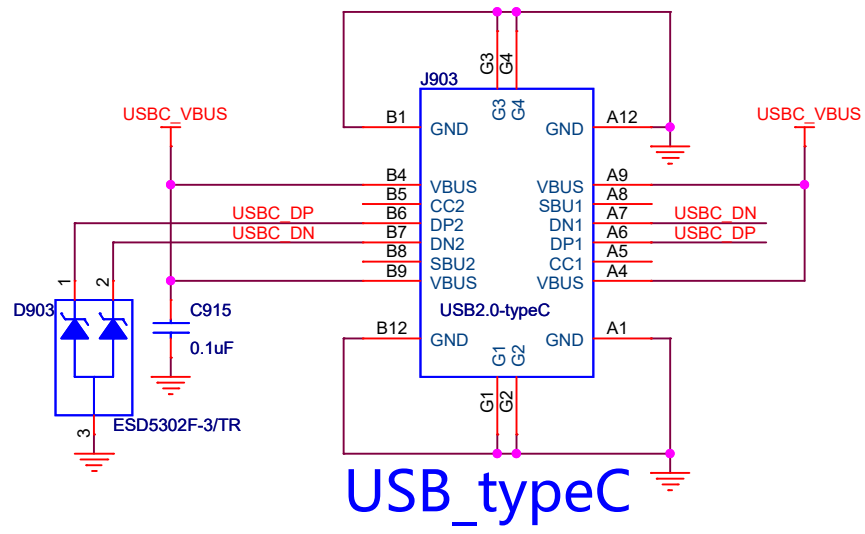
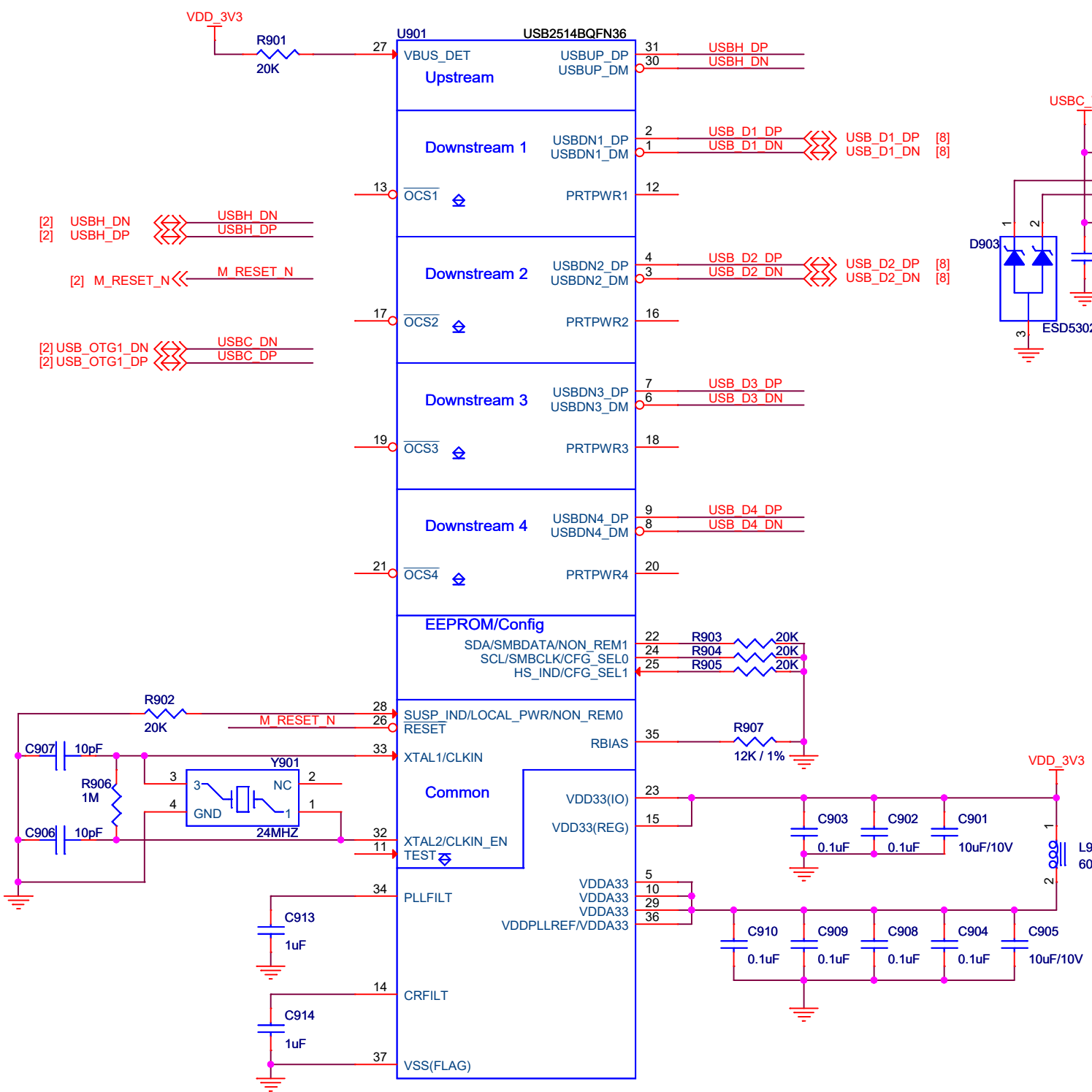
<b>WARE</b> 物一世 express		
Title <b>ExpressPi Pro</b>		
Size A4	Document Number <b>6 TFcard</b>	Rev P3
Date: Saturday, February 27, 2021	Sheet 5	of 8



<b>WARE</b> express 物一世		
Title <b>ExpressPi Pro</b>		
Size A4	Document Number <b>7 ETHERNET</b>	Rev P3
Date:	Saturday, February 27, 2021	Sheet 6 of 8



<b>WARE</b> 物一世 express		
Title <b>ExpressPi Pro</b>		
Size A4	Document Number	Rev P3
<b>8 miniPCIe</b>		
Date:	Saturday, February 27, 2021	Sheet 7 of 8



<b>WARE</b> express 物一世	
Title <b>ExpressPi Pro</b>	
Size A4	Document Number <b>9 USB</b>
Date Saturday, February 27, 2021	Sheet 8 of 8
	Rev P3