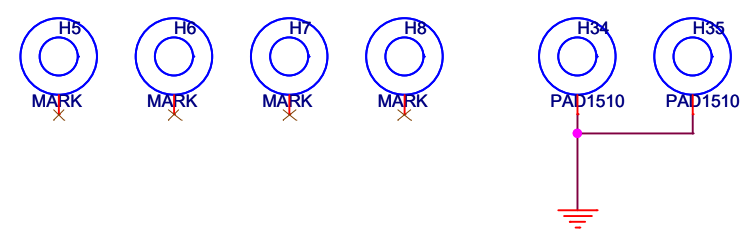
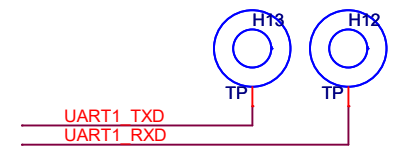
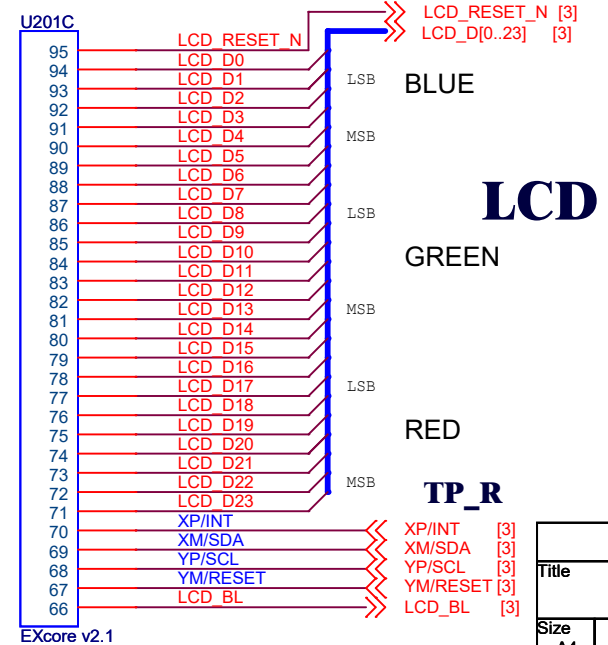
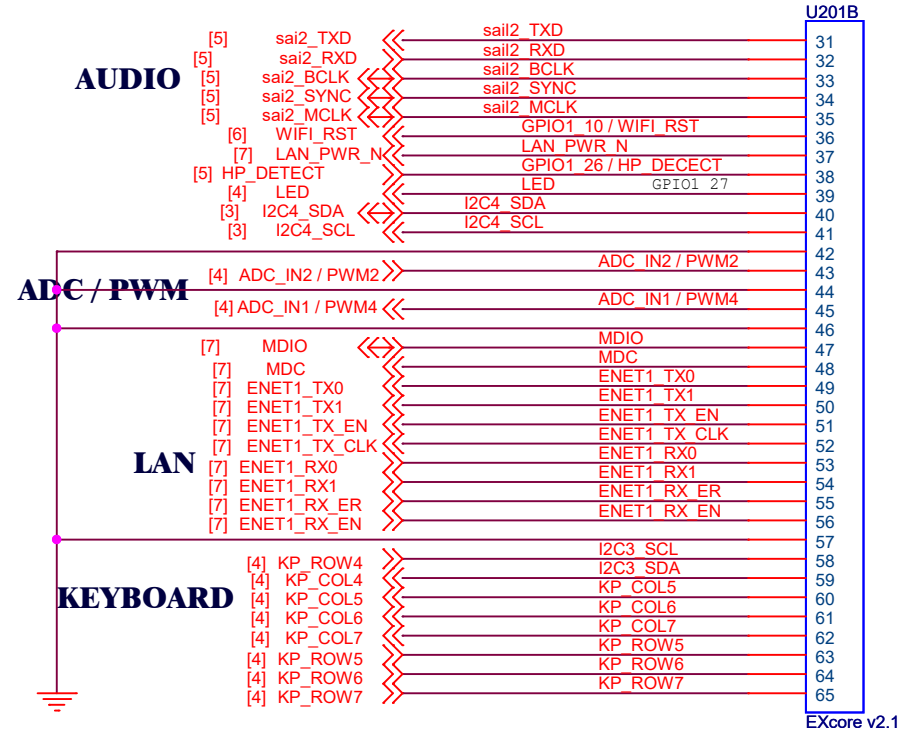
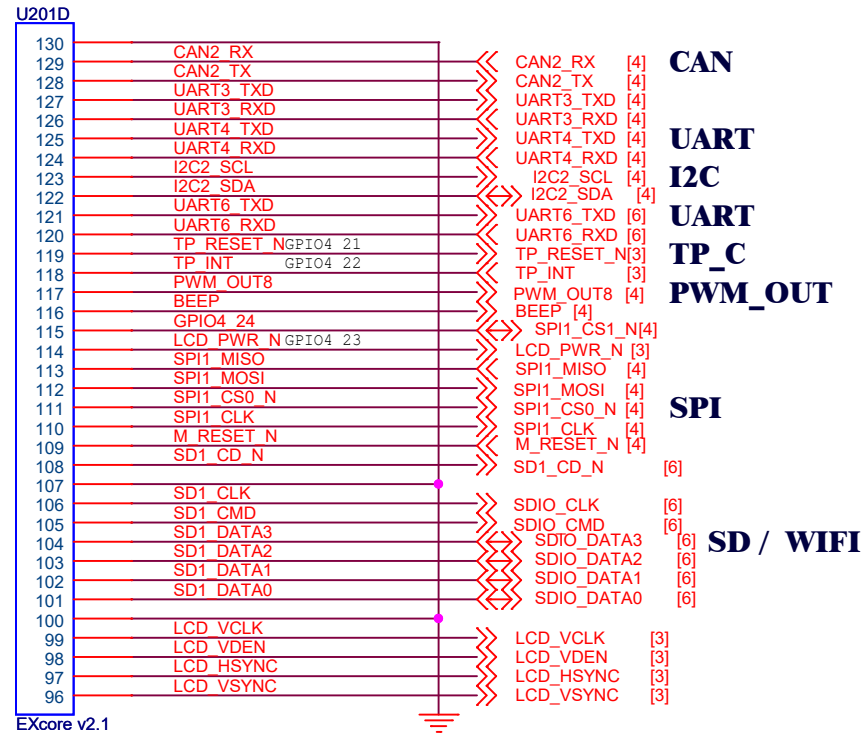
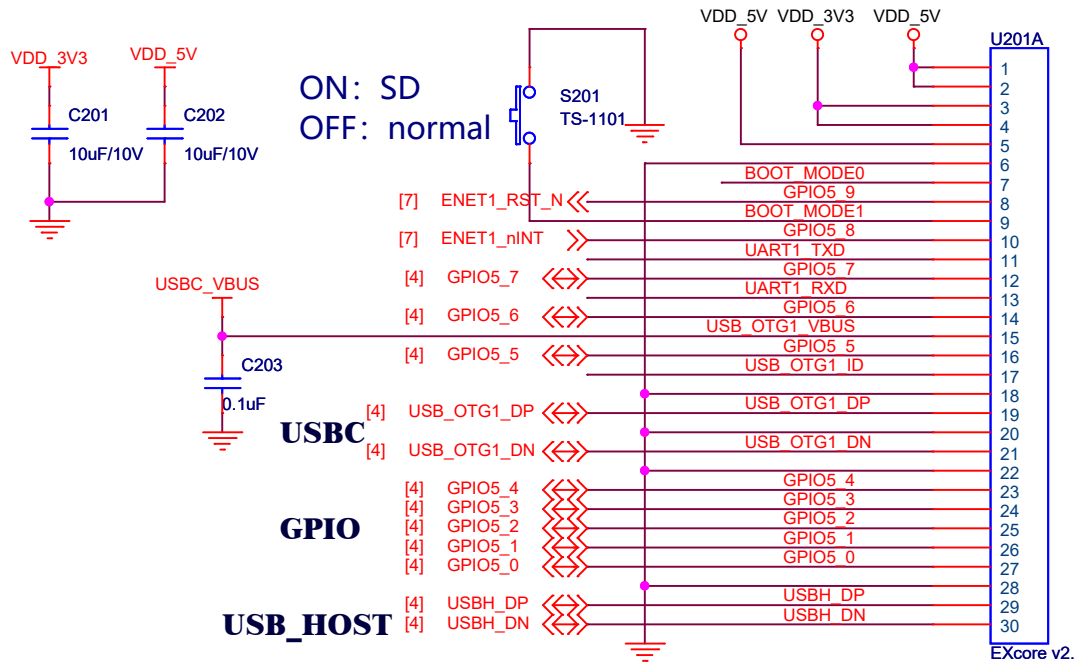


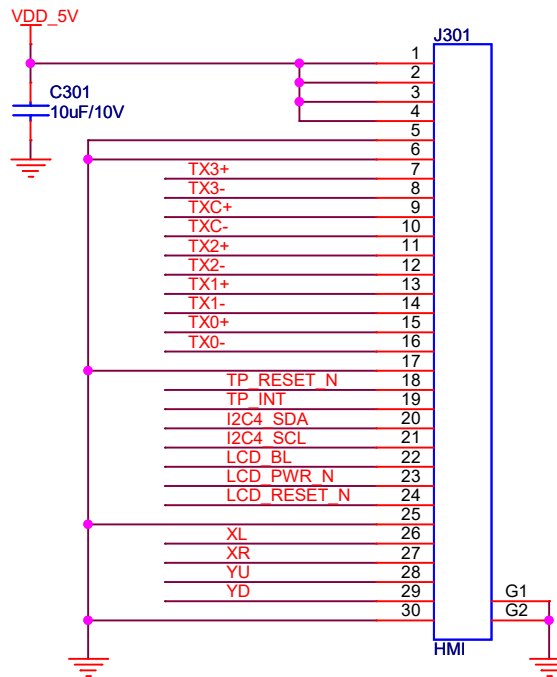
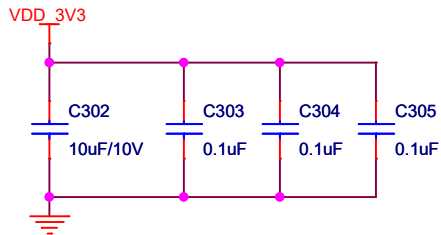
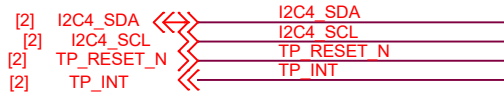
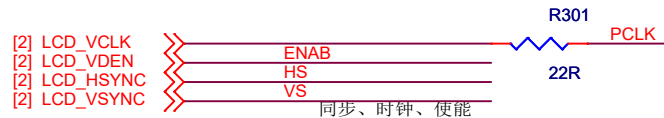
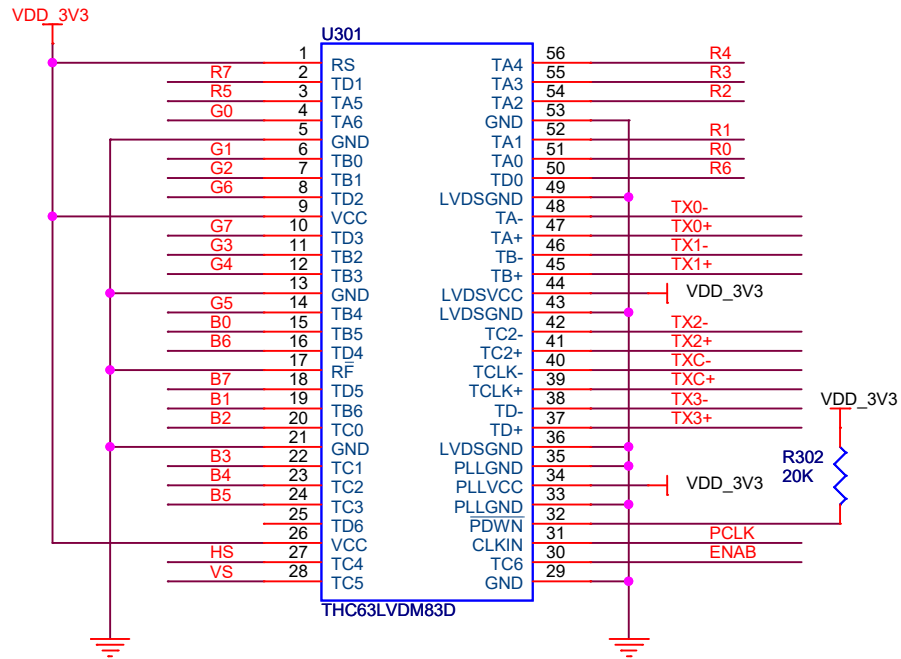
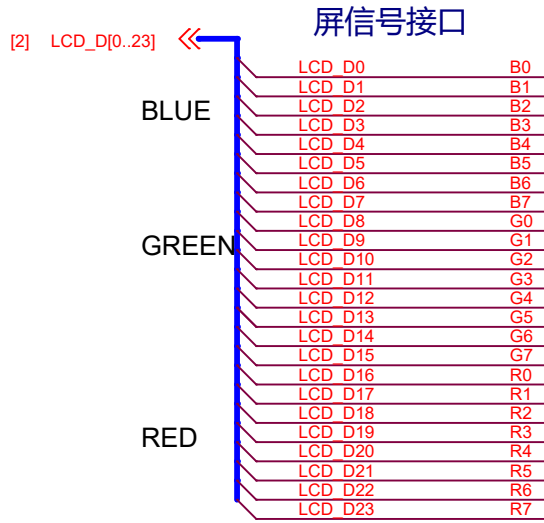
MARK



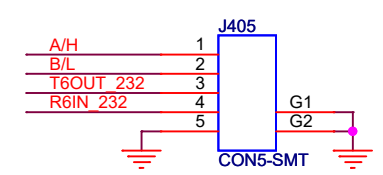
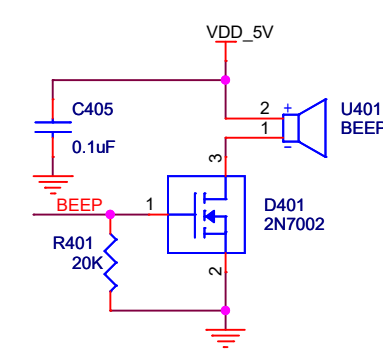
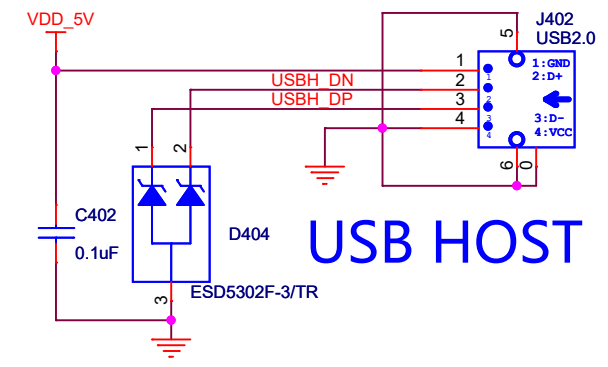
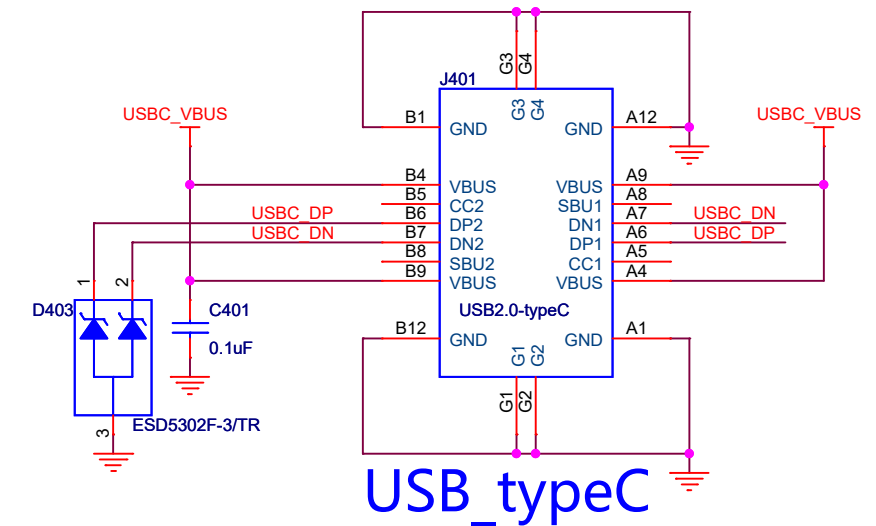
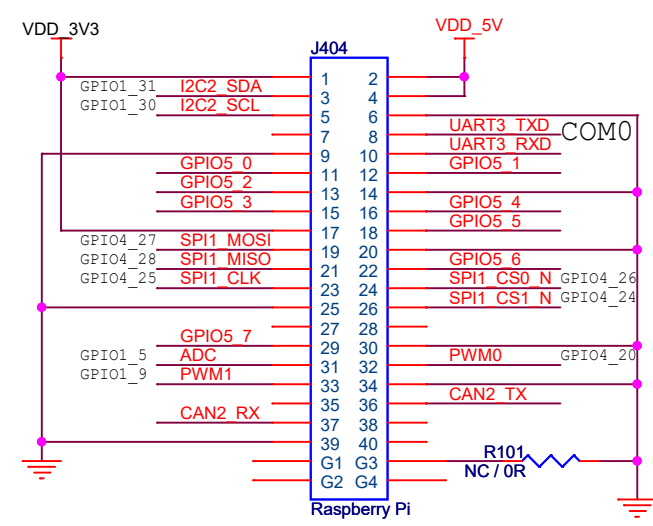
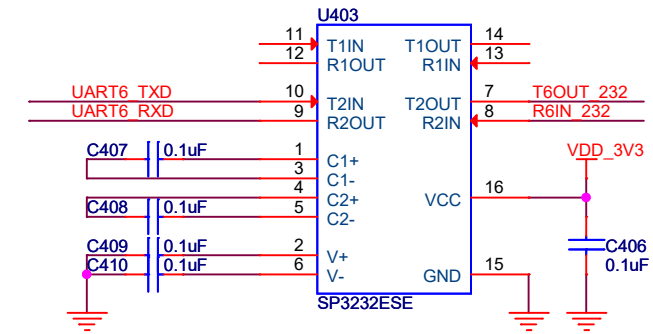
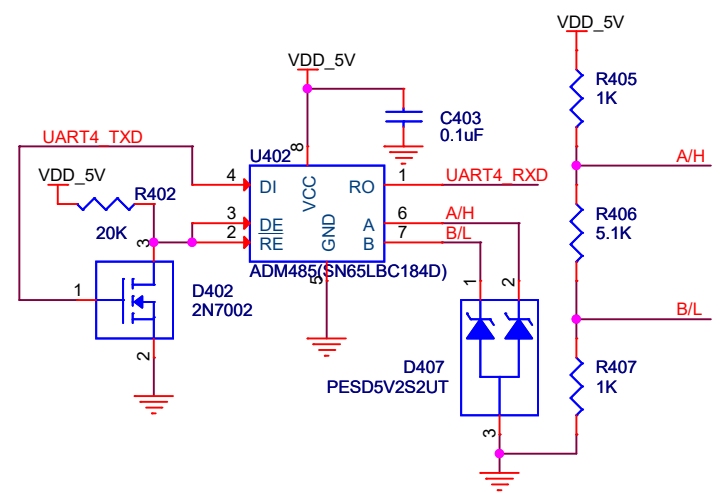
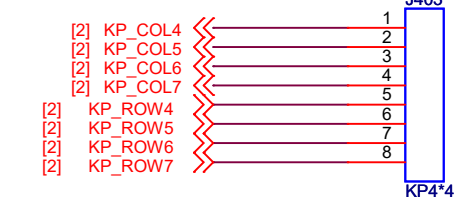
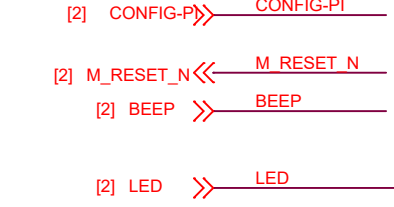
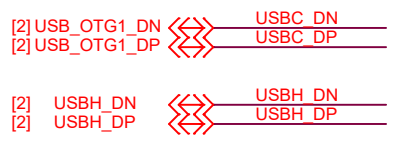
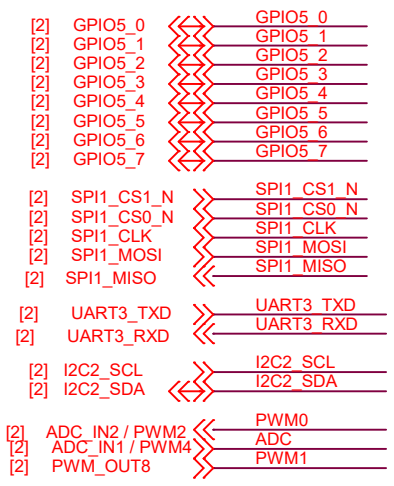
Title		
ExpressPi		
Size	Document Number	Rev
A4	POWER	1.6
Date:	Monday, May 04, 2020	Sheet 1 of 6



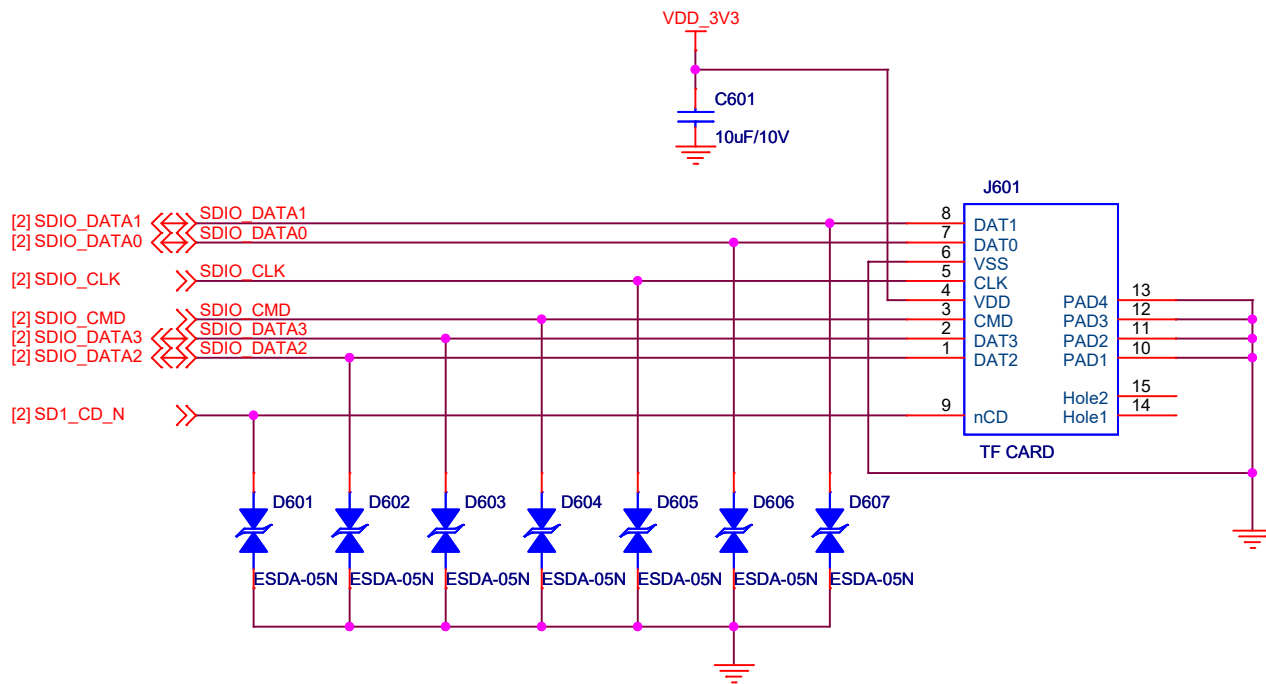
Title			ExpressPi		
Size	Document Number		Rev		
A4	EXcore v2.1		1.6		
Date:	Tuesday, August 25, 2020	Sheet	2	of	6



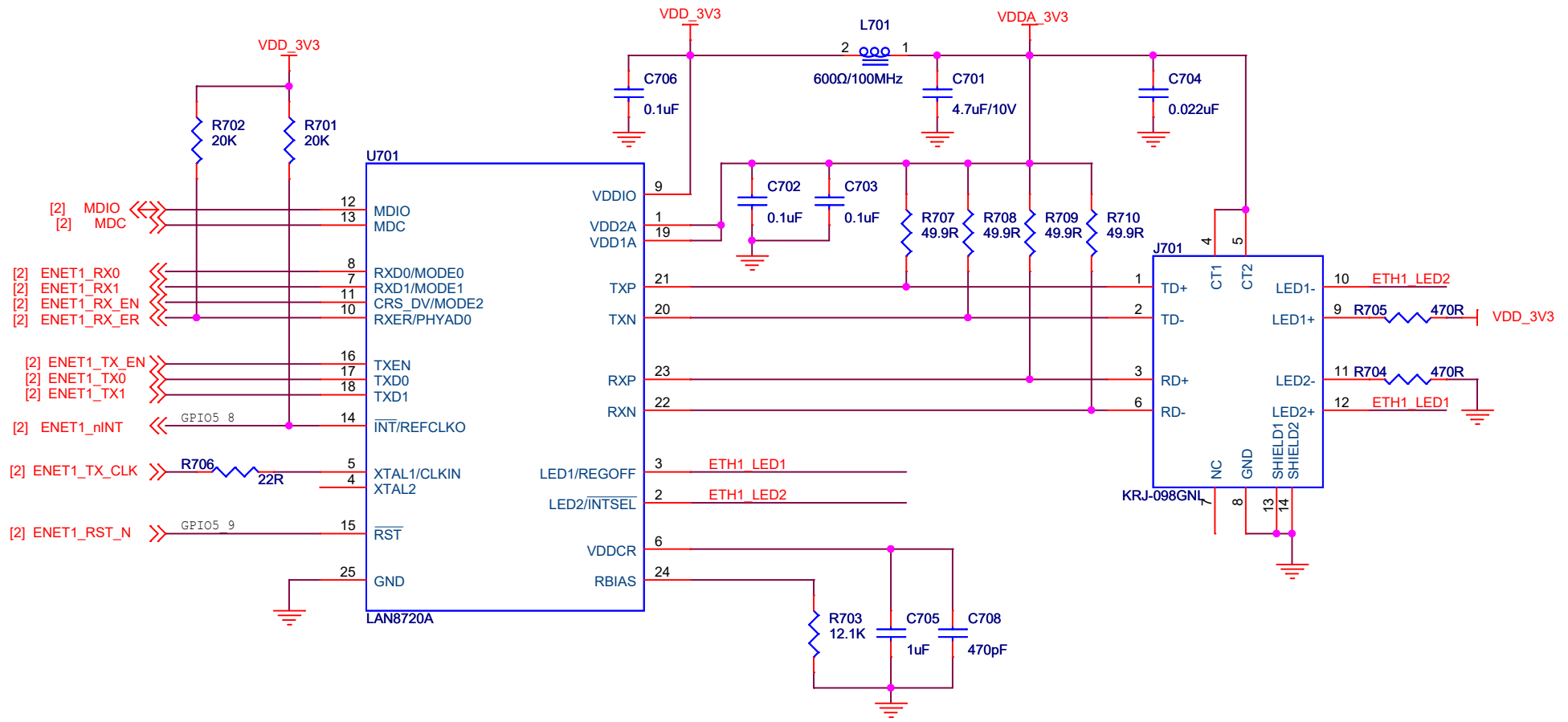
Title		
ExpressPi		
Size	Document Number	Rev
A4	HMI	1.6
Date:	Monday, May 04, 2020	Sheet 3 of 6



Title			ExpressPi		
Size	Document Number		Rev		
A4	Debug IO		1.6		
Date:	Tuesday, August 25, 2020	Sheet	4	of	6



Title		
ExpressPi		
Size	Document Number	Rev
A4	TFcard	1.6
Date:	Monday, May 04, 2020	Sheet 5 of 6



Title			ExpressPi		
Size	Document Number				Rev
A4	ETHERNET				1.6
Date:	Monday, May 04, 2020			Sheet	6 of 6